



EV9618-36

# 2CB-GW Filter Cartridge

Delivers quality water for foodservice, vending and OCS applications



2CB-GW Replacement Cartridge: EV9618-36

## BENEFITS

- Carbon block filter finely polishes water for high quality beverage and food applications
- Reduces chlorine taste and odor and other offensive contaminants that can adversely affect the taste of water and beverages
- Reduces fine dirt and particles
- Does not remove flouride
- Reduces limescale build-up that can cause excessive machine downtime and increased maintenance costs
- Plus, scale reduction reduces energy costs
- Sanitary cartridge replacement is simple, quick and clean. Internal filter parts are never exposed to handling or contamination
- Specially designed for single cup machines
- Fits all Everpure heads

## INSTALLATION TIPS

- Never use saddle valve for connection
- Use 3/8" water line
- Install vertically with cartridge hanging down
- Allow 2 1/2" clearance below the cartridge for easy cartridge replacement
- Flush 2CB-GW cartridge by running water through the filter for 5 minutes at full flow

## OPERATION TIPS

- Change filter cartridges on a regular 6 month preventative maintenance program
- Service flow rate must not exceed 0.5 GPM
- Always flush the filter cartridge at time of installation and cartridge change

## APPLICATION/SIZING

- Ideal for problem water areas
- For foodservice, vending machine, single cup coffee machines (POD) and office coffee service applications
- Rated Capacity: 3000 gallons (11,355 L)

# 2CB-GW Filter Cartridge

## SPECIFICATIONS

Overall Dimensions:  
10.25" H x 3.25" Diameter

Service Flow Rate:  
0.5 GPM (1.9 Lpm)

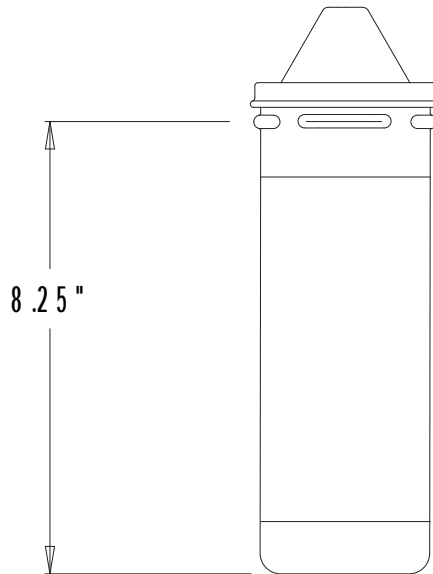
Pressure Requirements:  
10-125 psi(0.7-8.6 bar) non-shock

Rated Capacity:  
3,000 gallons (11.355 L)

Maximum Temperature:  
35 - 100°F (2 - 38°C)

No electrical connection required

The contaminants or other substances removed or reduced by this system are not necessarily in your water. Do not use with water that is microbiologically unsafe or of unknown quality without adequate disinfection before or after the system.



## WARRANTY

Everpure water treatment systems (excluding replaceable elements) are covered by a limited warranty against defects in material and workmanship for a period of five years after date of purchase. Everpure replaceable elements (filter cartridges and water treatment cartridges) are covered by a limited warranty against defects in material and workmanship for a period of one year after date of purchase. See printed warranty for details. Everpure will provide a copy of the warranty upon request.

**EVERPURE**

EVERPURE, INC.  
1040 Muirfield Drive  
Hanover Park, Illinois 60133  
Toll Free (800) 323-7873  
Tel (630) 307-3000  
Fax (630) 307-3030  
<http://www.everpure.com>

*In Europe:*  
N.V. EVERPURE (EUROPE) S.A.  
Geldenaaksebaan 478  
B-3001 Heverlee  
Belgium  
Tel 32-16-401191  
FAX 32-16-402691

*In Japan:*  
EVERPURE JAPAN, INC.  
1-8-19, Tsumada Kita,  
1-Chome, Atsugi City  
Kanagawa Ken 243-0812  
Japan  
Tel 81-462-23-6563  
FAX 81-462-21-6775

Everpure  
1040 Muirfield Drive  
Hanover Park, IL 60133  
Phone: 630-307-3000 Fax: 630-307-3030