

BUNN®

My Cafe® MCR Single Serve Cartridge Pourover Brewer

Commercial-grade single serve cartridge system engineered to deliver great results in the cup

15.5" x 8.8" x 16"
(39.4cm x 22.4cm x 40.6cm)

Low-Medium Volume
60 8oz (236mL) cups/hour*

- Ideal for office and small business environments
- Dispense sizes from 4 to 16oz (118-473mL), adjustable in .25 increments
- Engineered to achieve industry-recognized brewing temperatures and to utilize a unique water jet extraction process, delivering quality results in the cup for a variety of single serve cartridges
- Two default dispense sizes - 6oz and 8oz (177.4mL and 236.6mL)
- Compact size - only 15.5" (39.4cm) tall and requires less than 9" (22.9cm) of counter space
- Pour-over unit requires no plumbing
- Removable, dishwasher-safe 90oz (2.7L) water reservoir with large fill opening
- Optional kit for connecting to a water line for automatic water fill
- Designed to be compliant with ADA self-service requirements
- 1-year warranty on parts and 1-year warranty on labor
- ETL & NSF Commercial Ratings

RESPECT EARTH® COMPONENTS

- Energy Saver Mode reduces tank temperature during idle periods

RELATED PRODUCTS

49565.0000 Water Inlet Valve Kit

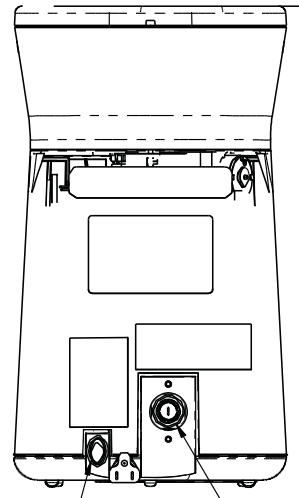
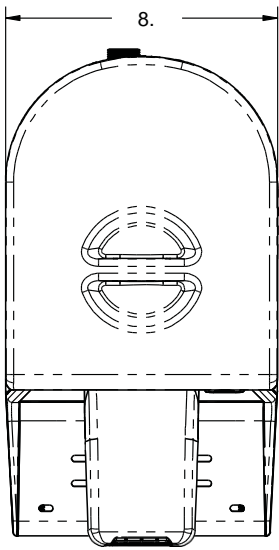


Description		Capacity*	Electrical Requirements					Shipping		Agency
Model	Product #	8oz cups/hr 236mL cups/hr	Volts	Amps	Watts	Cord Attached	Plug Type	Ft³ M³	lbs kgs	Listing
MCR	44600.0000	60	120	12.25	1470	yes	NEMA 5-15P	2.34 .07	18.3 8.3	ETL ^{us} Intertek NSF

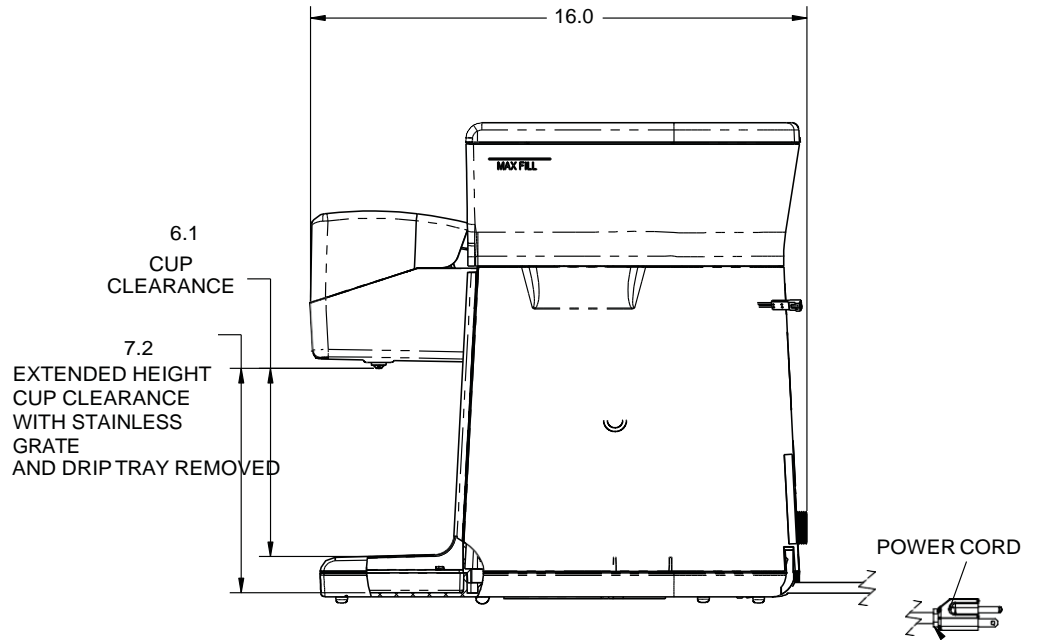
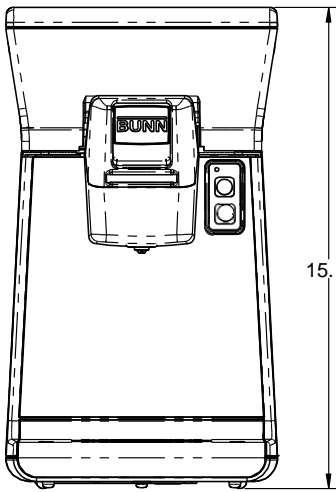
*Capacity: based upon incoming water temp of 60°F (140°F rise)

Executive Coffee Service
www.excoffee.com

A7.6
05/14



POWER SWITCH OPTIONAL WATER INLET



CAD Formats Available

2D	Revit	KCL
✓		

Electrical Requirements

Volts	Phase	# Wires plus Ground	Hertz
120	1	2	60

Plumbing Requirements

PSI	Fitting Supplied	Water Flow Required (GPM)
	N/A	

To see illustrated parts manuals, visit bunn.com/support/manuals

BUNN® reserves the right to change specifications and product design without notice. Such revisions do not entitle the buyer to corresponding changes, improvements, additions or replacements for previously purchased equipment. For most current specifications and other info visit bunn.com. All dimensions shown in inches.

K-Cup® is a trademark of Keurig, Incorporated. BUNN is not affiliated with Keurig, Incorporated.