

BUNN®

My Cafe® MCO Single Serve Cartridge Automatic Brewer

Commercial-grade single serve cartridge system engineered to deliver great results in the cup

16.75" x 11.7" x 20.6"
(42.5cm x 29.7cm x 52.3cm)

Low-Medium Volume
60 8oz (236mL) cups/hour*

- Ideal for office and small business environments
- Dispense sizes from 4 to 16oz (118-473mL), adjustable in .25 increments
- Engineered to achieve industry-recognized brewing temperatures and to utilize a unique water jet extraction process, delivering quality results in the cup
- Three adjustable brew sizes per beverage
- Touchscreen interface allows user to customize brew settings for coffee, tea, cocoa and hot water dispense
- Flip tray to accommodate wide range of cup sizes and travel mugs
- Automatic water refill
- Automatic ejection of brewed cartridges
- Internal waste storage for 25+ cartridges
- USB Flash programming: easily update software, import/export recipe settings, import custom logos
- Designed to be compliant with ADA self-service requirements
- ETL & NSF Commercial Ratings
- 2-year warranty on parts and 1-year warranty on labor

RESPECT EARTH® COMPONENTS

- Energy Saver Mode reduces tank temperature during idle periods

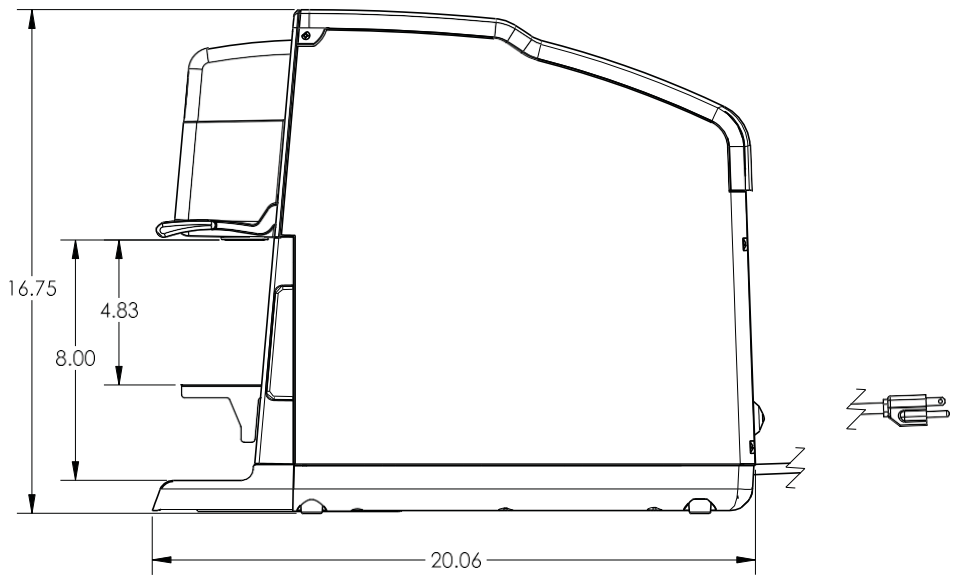
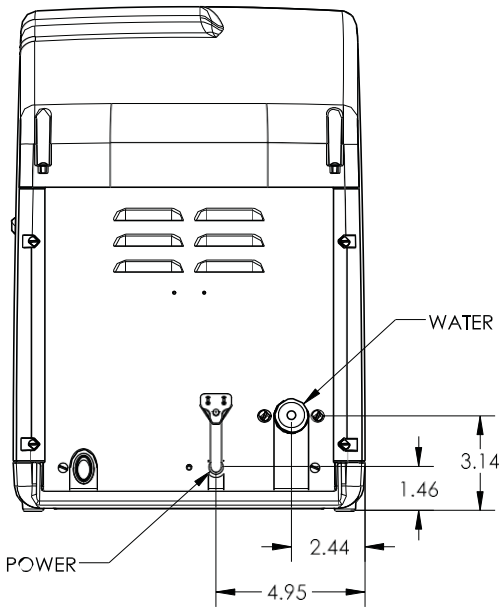
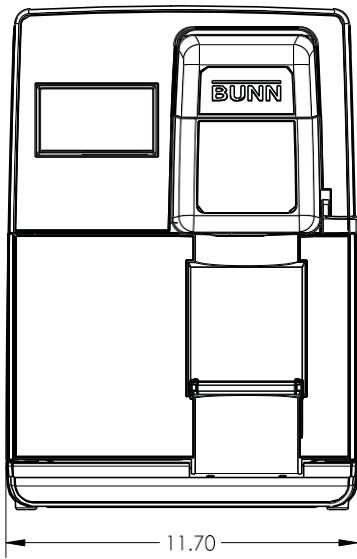


Description				Capacity*	Electrical Requirements					Shipping		Agency
Model	Product #	Wrap	Spray Head Type	8oz cups/hr 236mL cups/hr	Volts	Amps	Watts	Cord Attached	Plug Type	Ft ³ M ³	lbs kgs	Listing
MCO	44500.0000	no	10	60	120	12.0	1450	yes	NEMA 5-15P	2.34 .07	30 14.1	ETL ^{us} Intertek NSF

*Capacity: based upon incoming water temp of 60°F (140°F rise) per 1/2gal brew time of 4 minutes

Executive Coffee Service
www.excoffee.com

A7.7
05/14



CAD Formats Available

2D	Revit	KCL
✓		

Electrical Requirements

Volts	Phase	# Wires plus Ground	Hertz
120	1	2	60

Plumbing Requirements

PSI	Fitting Supplied	Water Flow Required (GPM)
20-90	1/4" male flare	



To see illustrated parts manuals, visit bunn.com/support/manuals

BUNN® reserves the right to change specifications and product design without notice. Such revisions do not entitle the buyer to corresponding changes, improvements, additions or replacements for previously purchased equipment. For most current specifications and other info visit bunn.com. All dimensions shown in inches.

K-CUP® is a trademark of Keurig, Incorporated. BUNN is not affiliated with Keurig, Incorporated.